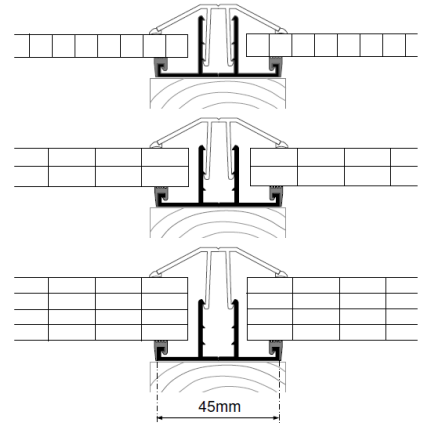
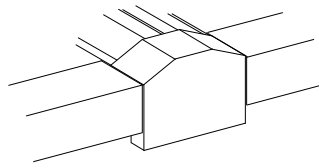
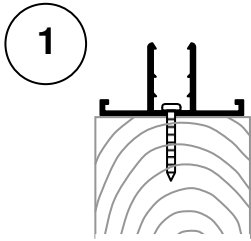


P700 Snap-Fit Rafter Glazing System

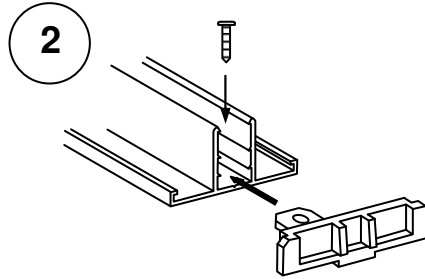
For the installation of 10mm, 16mm & 25mm multiwall polycarbonate sheet.



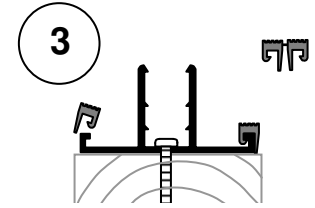
METHOD OF INSTALLATION >>>>>>>>



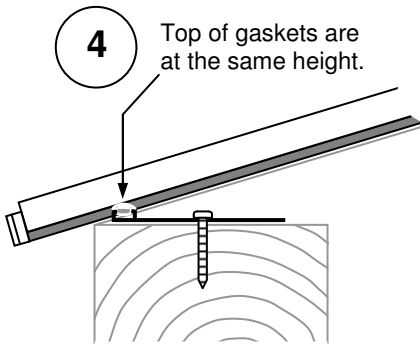
1 Cut aluminium bars to required lengths. Install onto timber rafters fixing with suitable screws maximum 100mm from each end of rafter and then at maximum 400mm spacings.



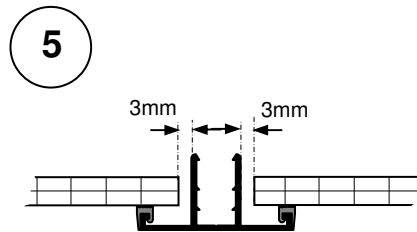
2 Slide end bracket into foot of the aluminium bar and fix with the screw provided (3mm drill bit required).



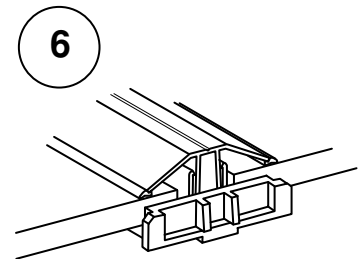
3 Pull gaskets apart and fit onto each side of the aluminium bar.



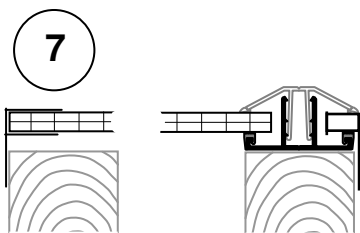
4 Top of gaskets are at the same height.
If an eaves filler is being used, cut to length to fit between the installed bars and screw fix.



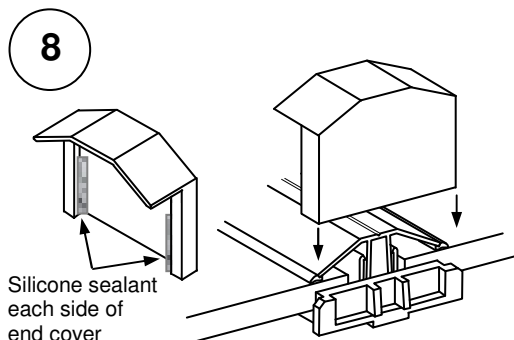
5 Place glazing sheets onto the bars. Typically allow a clearance of 3mm per metre width at each side of the sheet and also per metre length at the top of the sheet.



6 Press PVC cap into the aluminium bar ensuring that it is fully clipped into the correct location.

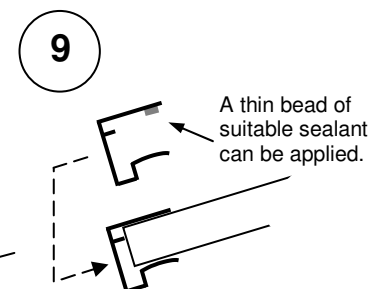


7 At the start and finish of a glazing area, an 'F' profile can be used, or a glazing bar and side trim. (Turn the leg upwards against a wall).



8 Silicone sealant each side of end cover

Apply sealant to the end cover as shown then slide down onto bracket until it is seated onto the top of the glazing bar.



9 Cut 'U' profiles to fit between end covers and push onto polycarbonate sheets. A thin bead of suitable sealant can be applied.