

P227 Structural Glazing System

Reference Code: **P227**

Colours & Lengths available:

Finish	2.5m	3m	3.5m	4m
Mill	N/A	√	N/A	√
White	√	√	√	√
Brown	N/A	√	N/A	√

Span: **1.4 metres with multiwall polycarbonate**

Description

An aluminium structural glazing system which can be used for installing both multiwall polycarbonate and glass. When glazing with multiwall polycarbonate the P227 system is capable of spanning up to 1.4 metres between fixing points*. For applications longer than 1.4 metre span, an intermediate cross purlin should be installed to create a further fixing point. Alternatively, use any of the other structural systems on offer: P286, P280, P288 or P600 systems.

The P227 system consists of an aluminium base bar (ref.227) and an aluminium glazing bar cap (ref.226), gaskets and an end plate (ref.226EP).

The base bar is fitted to the ridge and eaves support, the glazing sheet sits on the aluminium base bar and the cap is drilled at intervals no more than 300mm apart. Screws are then fitted through the cap into the central stalk of the base bar. The length of screw differs with each thickness of glazing sheet. A screw cover cap is needed to cover and protect the head of the screw. Stainless steel screws are recommended.

The P227 system is supplied as a pre-pack in 3 metre and 4 metre lengths with gaskets installed, and as loose items in 6 metres. Mill finish as well as polyester powder coated white (RAL9910 satin) and brown (RAL8040 satin) are available as standard. We can also supply the 226 cap and 227 base painted to a specific RAL colour although this may be subject to a minimum quantity requirement and surcharge.

Hip System

Reference: **P227H**
 Colour: **Mill Finish, White or Brown**
 Length: **3 metre and 4 metre (and 6 metres as non-standard)**

To make the bar suitable for a hipped application, the glazing bar cap is changed for a wider, more angled cap and re-named as P227H. The P227H system is supplied as a pre-pack in 3 metre and 4 metre lengths and as loose items in 6 metres. The 3 metre and 4 metre pre-pack consists of the aluminium glazing bar cap, the base bar, bubble gasket pressed in the full length of the aluminium cap and base down either side and a wide, push fit plastic end plate.

Applications

- Medium Span Roofing
- Cross Purlin Roofing
- Canopies
- Rooflights
- Swimming Pool Covers
- Garden Centre Roofing
- Conservatories
- Car Ports
- Porches

* **NOTE:** The maximum recommended glazing centres for multiwall polycarbonate are:

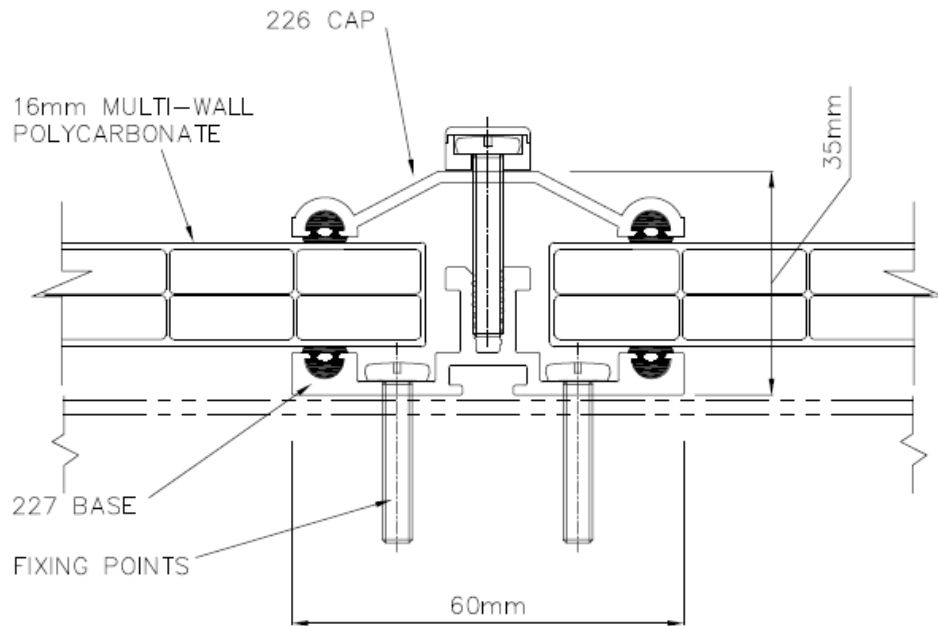
10mm sheet	=	700 mm
16mm sheet	=	1,000mm
25mm sheet	=	1,250mm



**Birchwood
Trading**

Glazing with Glass

The P227 system is suitable for use with glass. However, we cannot advise as to the spanning capability of the system or at what centres the glazing bars should be placed. We do recommend that a mechanically fixed end plate (similar to our SB-MEP end plate) be fitted at the foot of each bar to stop the glass from slipping.



The P227 structural glazing bar system can be used to install multiwall polycarbonate, solid polycarbonate or glass in thickness ranging from 4mm to 25mm. The P227 can be supplied either as a pre-pack complete with the aluminium base bar and bar cap, both with gasket fitted and an end plate, or as loose, individual items. The P227 system can also be supplied as a hipped system with the glazing bar cap being 70mm wide and more angled than the standard version.




Pack lengths available: 2.5, 3, 3.5 & 4 metre lengths

Pack contents:
 226 aluminium capping bar with gasket fitted
 227 aluminium base bar with gasket fitted
 226EP end plate

Loose item lengths available: 6 metres

Colours available: Mill or powder coated white or brown
 RAL or BS colours to special order

Complementary Fixing Accessories for use with the P227 rafter gasket glazing system:

Side Trim Ref 272 – 10mm Ref 273 – 16mm Ref 275 – 25mm 	U Profile Ref 252 – 10mm Ref 253 – 16mm Ref 255 – 25mm 	
Eaves Filler Ref 226F	Fixing Buttons (white) Ref244P – 10mm Ref245P – 16mm Ref249P – 25mm	Fixing Buttons (Brown) Ref247P – 10mm Ref248P – 16mm Ref250P – 25mm
Anti-dust/Breather Tape Ref FT or PBT 10 Ref FT or PBT 16 Ref FT or PBT 25 	Butyl Flashing 200/20 White 200/20 Lead	

Please note that all information, advice or recommendation is given in good faith and to the best of our knowledge. Due to a policy of continuous improvement we reserve the right to change specifications without prior notice.