

P288 Structural Glazing System

July 2011

Reference:	P288
Colour:	Mill, White* or Brown*
Length:	3 metre , 4 metre and 6 metre
Sheet Thickness Suitability:	25mm Multiwall/24mm DGU (6/12/6)
Span with Polycarbonate:	4 metres
Span with Glass:	2.6 metres at 600mm centres (24mm DGU's)
* Denotes coloured to order, would be subject to a longer lead time	

Description:

An aluminium structural glazing system into which 25mm multiwall polycarbonate is fitted. The P288 system is capable of spanning up to 4 metres between fixing points**. C ross purline should be installed for applications with a span longer than 4 metres.

The P288 system consists of an aluminium base bar (ref.288) and a shaped aluminium glazing bar cap and 280G gasket. A mechanical end plate (ref. SB-MEP) will be required.

The base bar is fitted to the ridge and eaves support, the glazing sheet sits on the gasket and the cap is drilled at intervals no more than 350mm apart. Screws are then fitted through the cap into the central stalk of the base bar.

For applications with good ventilation i.e. with open sides, the system would be supplied without an underclad. For applications without good ventilation i.e. enclosed sides, it is recommended that a uPVC thermal underclad be supplied to clip onto the base bar to minimise the risk of condensation forming. This is known as P288U.

The P288 and P288U systems are supplied as loose items or as a pre-pack in 4 metre lengths.

The P288 system should always be used with a mechanical end plate (ref. SB-MEP), the normal 280EP plastic end plate does not fit the system.

Other Glazing Sheet Thickness

Although the P288 is suitable for 25mm polycarbonate or 24mm double glazed units only, the system can be adapted very simply to accommodate all thicknesses from 6mm to 24mm by inserting a Gasket Carrier (ref. GC) into the 280 cap. If glazing with 16mm polycarbonate, insert 280HG hip gasket rather than use the gasket carrier.

Applications:

- Medium to Long Span Roofing
- Cross Purlin Roofing
- Canopies
- School Play Areas
- Swimming Pool Covers
- Rooflights

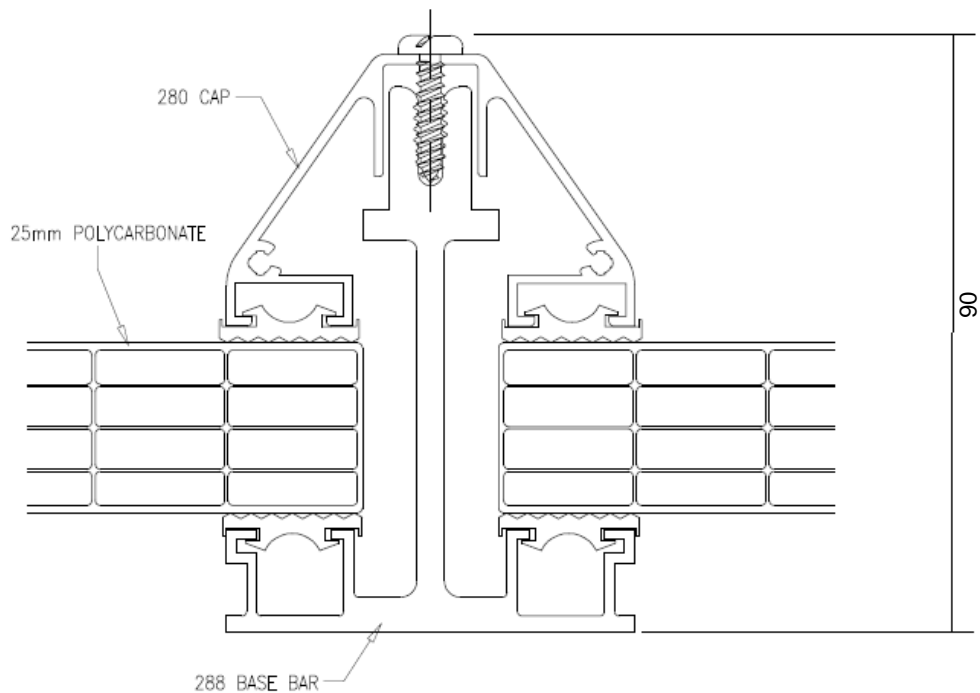
** **NOTE:** Maximum recommended polycarbonate glazing centres are:

25mm sheet = 1250mm

Glazing with Glass

The P288 system is suitable for use with glass. When glazed with 24mm double glazed units (6/12/6) and fixed at 600mm centres, the P288 system will span 2600mm between fixing points.





The P288 heavy duty structural glazing bar system can be used to install multiwall polycarbonate, solid polycarbonate or glass in thickness ranging from 6mm to 25mm. The P288 can be supplied either as a pre-pack complete with the aluminium base bar and bar cap, both with gasket fitted or as loose individual items.


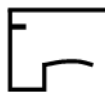
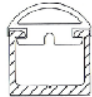
Pack lengths available: 3 metres, 4 metres

Pack contents: 280 aluminium bar gap with gasket fitted
288 aluminium base bar with gasket fitted
280EP end plate

Loose item lengths available: 6 metres

Colours available: Mill, or powder coated white or brown
RAL or BS colours to special order

Complementary Fixing Accessories for use with the P288 structural glazing bar system:

<p>Side Trim Ref 272 – 10mm Ref 273 – 16mm Ref 275 – 25mm</p> 	<p>U Profile Ref 252 – 10mm Ref 253 – 16mm Ref 255 – 25mm</p> 	
<p>Eaves Filler Ref 285F</p> 	<p>Fixing Buttons (white) Ref244P – 10mm Ref245P – 16mm Ref249P – 25mm</p>	<p>Fixing Buttons (Brown) Ref247P – 10mm Ref248P – 16mm Ref250P – 25mm</p>

